



## Pressure transducers HydroFox® DMU 07 for level measurement



### Benefits

- Flush diaphragm
- Without transmission liquid
- Mechanically insensitive ceramic sensor
- Small temperature error
- High overpressure safety

### Application

For electronic, continuous level measurement of liquids and for pressure measurement of liquids and gases in plant construction.

### Description

Pressure transducers convert physical pressure into an electrical signal proportional to the pressure. HydroFox® DMU 07 uses a capacitance ceramic measuring cell.



## Technical specifications

### Measuring accuracy

Deviation from the characteristic curve according to IEC 60770 – limit point calibration (non-linearity, hysteresis, repeatability)  
< ± 0.35 % FSO

### Measuring range

See ordering table

### Overpressure safety

≤ 400 mbar: At least 25 x FS  
> 400 mbar: At least 3 x FS

### Operating temperature range

Medium: -40/+125 °C  
Ambient: -40/+85 °C  
Storage: -40/+100 °C

### Temperature error band

≤ 0.1 % FSO/10 K In compensated range -20/+80 °C

### Dynamic characteristics

Response time: ≤ 200 ms

### Process connection

G1½B with flush diaphragm

### Material

Housing: Stainless steel 316 L  
Pressure connection: Stainless steel 316 L  
Diaphragm: Ceramic (Al<sub>2</sub>O<sub>3</sub> 96 %)  
Seal: FKM (Viton)

## Options

- Pressure connection made of PVDF
- Other seal materials
- Field housing (stainless steel 303)
- Higher accuracy
- Other output signals
- EX version (Ex II 1G or II ½G Ex ia IIC T4 Ga or Ga/Gb, Ex II 1D Ex ia IIIC T85°C Da or Da/Db or Ex II ½D)

### Supply voltage

DC 9 – 32 V

### Output signal

2-wire, 4–20 mA

### Load

$R_{Max} = [(UB - UB_{Min})/0.02 A] \Omega$

### Current input

< 21 mA

### Electrical protection

Short circuit proof and protected against reverse polarity

### Electrical connection

Connector and junction box as per ISO 4400 (DIN 43650-A)

### Degree of protection

IP 65 (EN 60529)

### CE conformity

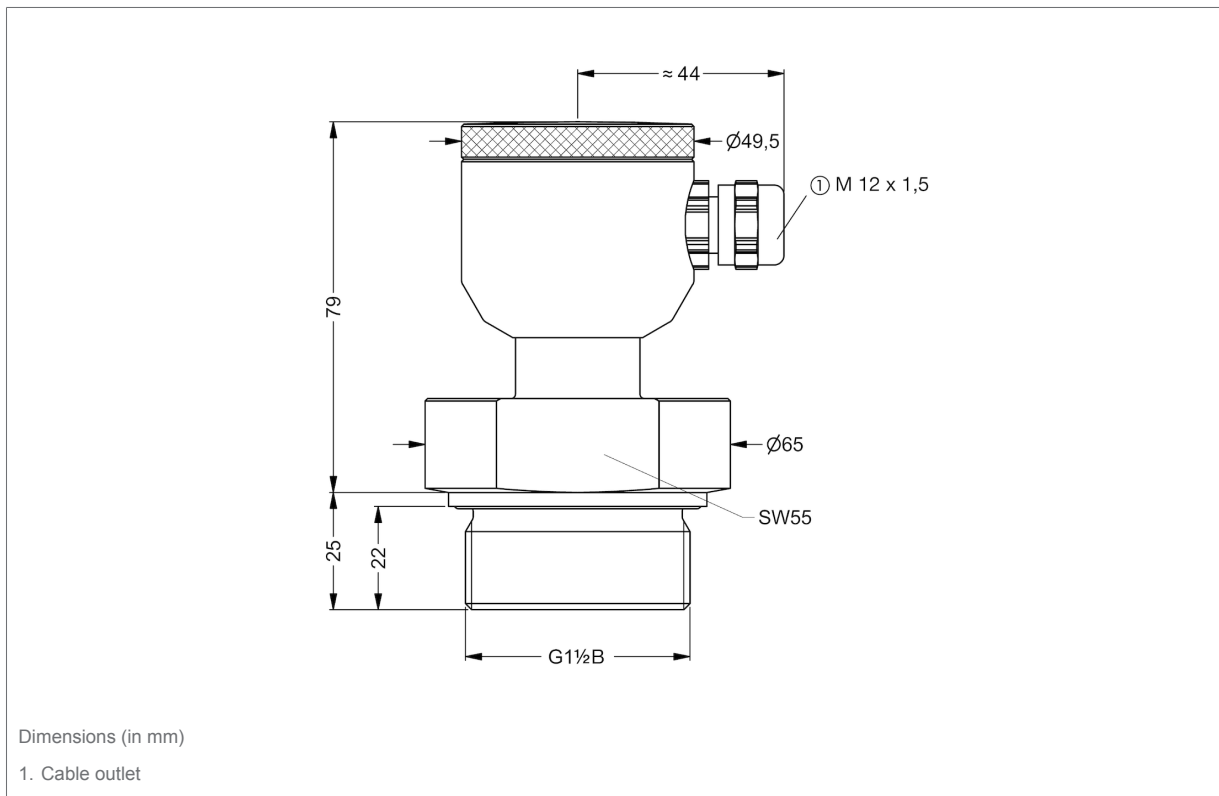
EMC Directive 2014/30/EU  
RoHS Directive 2011/65/EU  
Pressure Equipment Directive 2014/68/EU



### Detail views



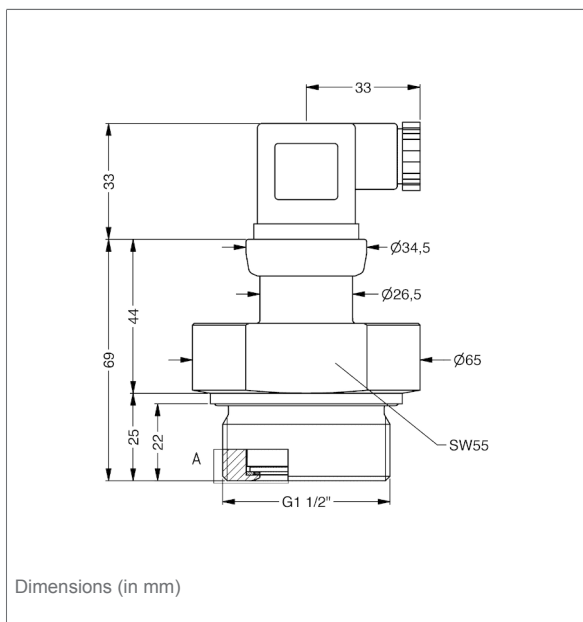
### DMU 07 FG - connection G1½B field housing



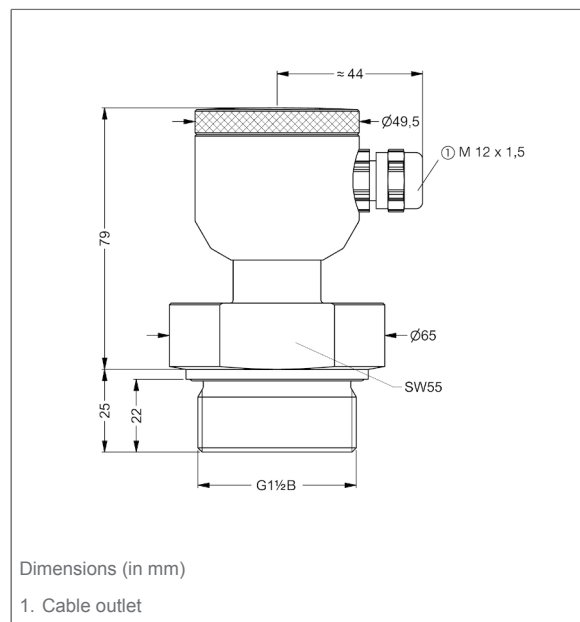


## Technical drawings

**DMU 07 - connection G1½B DIN 3852 type E – Connector and junction box ISO 4400, pressure connection made of stainless steel**



**DMU 07 FG - connection G1½B field housing**



## Versions

Type	Connection	Measuring range	Part no.
HydroFox® DMU 07	G1½B	0/40 mbar	31789
HydroFox® DMU 07	G1½B	0/60 mbar	31790
HydroFox® DMU 07	G1½B	0/100 mbar	31791
HydroFox® DMU 07	G1½B	0/160 mbar	31792
HydroFox® DMU 07	G1½B	0/200 mbar	31793
HydroFox® DMU 07	G1½B	0/250 mbar	31794
HydroFox® DMU 07	G1½B	0/400 mbar	31795
HydroFox® DMU 07	G1½B	0/600 mbar	31796
HydroFox® DMU 07	G1½B	0/1 bar	31797
HydroFox® DMU 07	G1½B	0/1.6 bar	31798
HydroFox® DMU 07	G1½B	0/2 bar	31799
HydroFox® DMU 07	G1½B	0/4 bar	31800



Blue part no. = in-stock items



Type	Connection	Measuring range	Part no.
HydroFox® DMU 07	G1½B	0/6 bar	31801
HydroFox® DMU 07	G1½B	0/10 bar	31802
HydroFox® DMU 07 FG	G1½B	0/40 mbar	31821
HydroFox® DMU 07 FG	G1½B	0/60 mbar	31805
HydroFox® DMU 07 FG	G1½B	0/100 mbar	31547
HydroFox® DMU 07 FG	G1½B	0/160 mbar	31806
HydroFox® DMU 07 FG	G1½B	0/200 mbar	31548
HydroFox® DMU 07 FG	G1½B	0/250 mbar	31807
HydroFox® DMU 07 FG	G1½B	0/400 mbar	31549
HydroFox® DMU 07 FG	G1½B	0/600 mbar	31808
HydroFox® DMU 07 FG	G1½B	0/1 bar	31550
HydroFox® DMU 07 FG	G1½B	0/1.6 bar	31809
HydroFox® DMU 07 FG	G1½B	0/2 bar	31551
HydroFox® DMU 07 FG	G1½B	0/4 bar	31552
HydroFox® DMU 07 FG	G1½B	0/6 bar	31810
HydroFox® DMU 07 FG	G1½B	0/10 bar	31553



Blue part no. = in-stock items